

2024 跨境电商玩具产品侵权预警报告 (7-12月)

深圳市玩具行业协会



2024年12月



目录

1.Aphmau 毛绒玩具	4
1.1 产品介绍--Aphmau 毛绒玩具.....	4
1.2 Aphmau 毛绒玩具--知识产权信息	5
2. sweets Kendamas 剑玉	6
2.1 产品介绍---sweets Kendamas 剑玉.....	6
2.2 剑玉--知识产权信息.....	8
3. 硅胶解压玩具 skin picking fidget toy	11
3.1 产品介绍---硅胶解压玩具.....	11
3.2 硅胶解压玩具----知识产权维权信息.....	12
4. 智能婴儿摇篮 Baby Bassinet	13
4.1 产品介绍---智能婴儿摇篮.....	13
4.2 智能婴儿摇篮--知识产权信息.....	14
5. 玩具枪 Toy Gun	17
5.1 产品介绍---玩具枪 Toy Gun	17
5.2 玩具枪 Toy Gun----知识产权信息.....	18
6.圣诞泡泡机 toy bubble gun	22
6.1 产品介绍---圣诞泡泡机.....	22
1.2 圣诞泡泡机----知识产权信息.....	23
7.TUB WORKS 儿童沐浴产品	25
7.1 产品介绍---儿童沐浴产品.....	25
7.2 TUB WORKS 儿童沐浴产品----知识产权信息.....	25

8、磁性象棋 Magnetic chess	28
8.1 产品介绍---磁性象棋.....	28
8.2 磁性象棋----知识产权信息.....	29
9、Busy Board 感官玩具	31
9.1 产品介绍---Busy Board 感官玩具	31
9.2 磁性象棋----知识产权信息.....	31

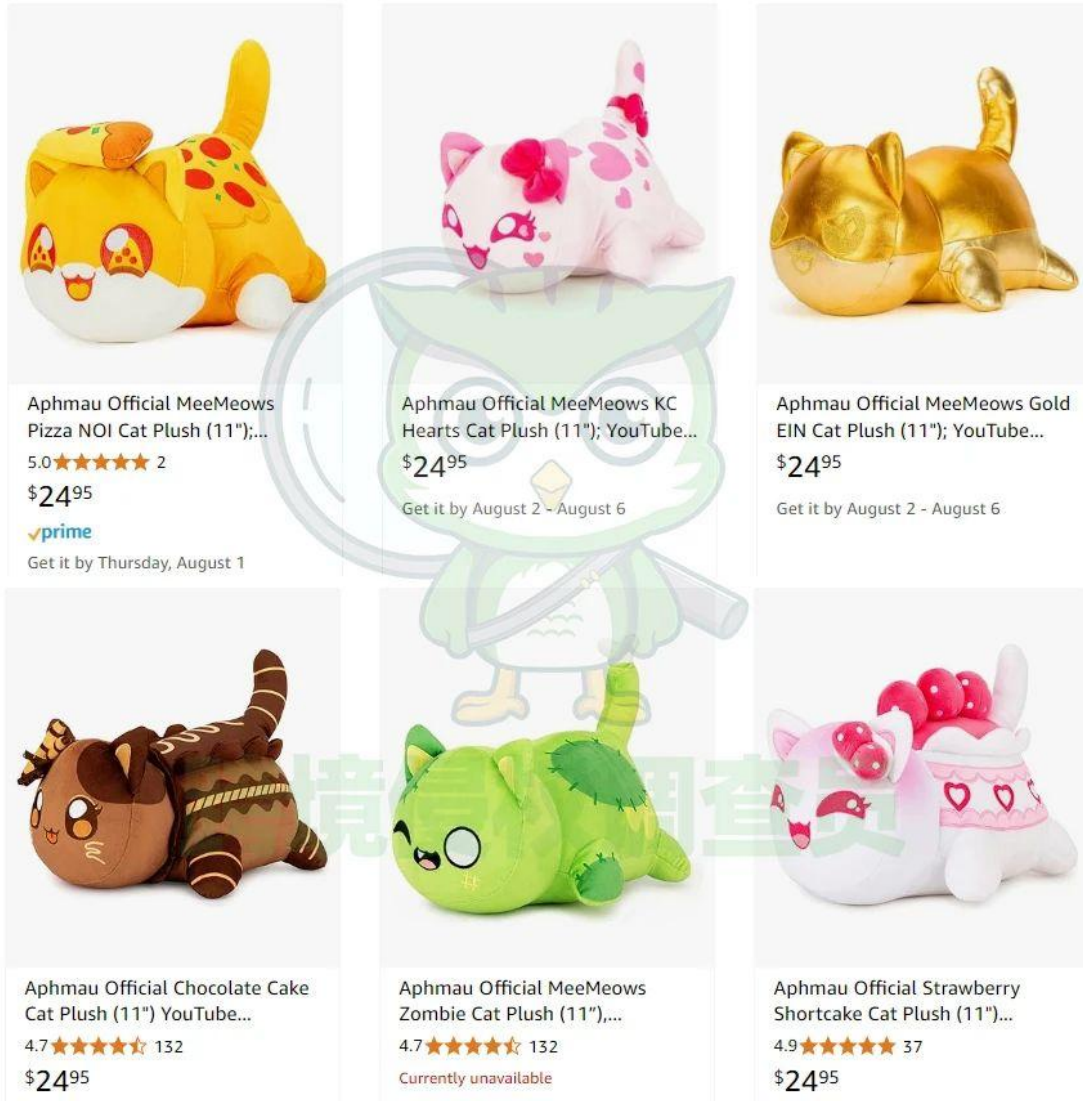
1.Aphmau 毛绒玩具

1.1 产品介绍--Aphmau 毛绒玩具

品牌方 APHMAU 是有名的 YouTube 游戏主播, 因其名下的 MeeMeows 毛绒玩具可爱多样的外形而深受消费者喜爱。



图源：亚马逊



1.2 Aphmau 毛绒玩具--知识产权信息

品牌方 Blujay Studios, Inc 于 2024 年 7 月 24 日开始维权，众多商标维权，有文字商标 APHMAU、PHOENIX DROP HIGH 和图形商标，主要注册在服装鞋帽，办公用品、厨房用品等大类。

Registration number	Trademark	Registration date	Nice cl.
5218454	APHMAU	2017.6.6	21
5218574		2017.6.6	16
5502747	PHOENIX DROP HIGH	2018.6.26	25
6996183		2023.3.7	25
7042178		2023.5.2	25

2. sweets Kendamas 剑玉

2.1 产品介绍---sweets Kendamas 剑玉

品牌方 Sweets Kendamas 其名下主要售卖剑玉，这是一款手部极限玩具，可运用手腕的力量和技巧将球准确无误的放置在球竿的上下左右各个位置。



图源：亚马逊



2.2 剑玉--知识产权信息

原告尚未公开诉状，检索后发现其名下注册有一个文字商标 Sweets Kendamas 和两个图形商标。



The image shows a trademark registration record for 'SWEETS KENDAMAS'. The record includes the following information:

Wordmark	 SWEETS KENDAMAS
Status	LIVE REGISTERED
Goods & services	IC 028: Action skill games.
Class	028
Serial	87700046
Owners	Sweets Kendamas, LLC (LIMITED LIABILITY COMPANY; MINNESOTA, USA)

A large, semi-transparent watermark reading '跨信信权调查员' is overlaid on the bottom half of the screenshot.



Wordmark

X

Status

LIVE

REGISTERED

Goods & services

IC 028: Action skill games.

Class

028

Serial

87700076

Owners

Sweets Kendamas, LLC (LIMITED LIABILITY COMPANY; MINNESOTA, USA)

SWEETS KENDAMAS

Wordmark

SWEETS KENDAMAS

Status

LIVE

REGISTERED

Goods & services

IC 028: Action skill games.

Class

028

Serial

87700059

Owners

Sweets Kendamas, LLC (LIMITED LIABILITY COMPANY; MINNESOTA, USA)

另外还注册了一个美国发明专利，专利号为 US 2020/0261785 A1。



US 20200261785A1

(19) **United States**
(12) **Patent Application Publication** (10) **Pub. No.: US 2020/0261785 A1**
Klemm (43) **Pub. Date: Aug. 20, 2020**

(54) **MATRIX IMPRINTING ON ACTION SKILL GAME PIECES** (52) **U.S. CL.**
CPC *A63B 67/22* (2013.01); *G06K 19/06037*
(2013.01); *A63B 2225/15* (2013.01); *A63B 2209/00* (2013.01); *G06K 1/121* (2013.01)

(71) Applicant: **Sweets Kendamas, LLC**, Minneapolis, MN (US)

(72) Inventor: **Gabriel Klemm**, Minneapolis, MN (US)

(21) Appl. No.: **16/275,826**

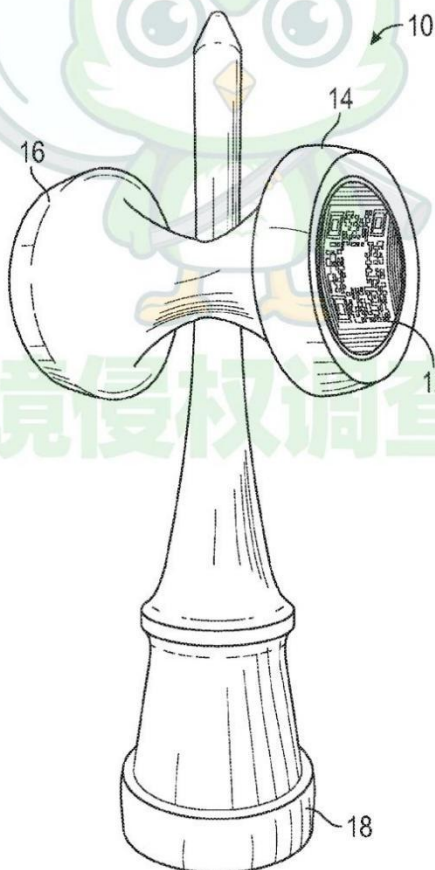
(22) Filed: **Feb. 14, 2019**

Publication Classification

(51) **Int. Cl.**
A63B 67/22 (2006.01)
G06K 19/06 (2006.01)
G06K 1/12 (2006.01)

(57) **ABSTRACT**

A game piece having computer readable data imprinted directly on a surface thereof, wherein the game piece is a kendama and the data is a matrix barcode readable via a camera. The data may be laser engraved on or pad printed on a surface of the kendama. The kendama is comprised of a hardwood and a hardwood surface of the kendama is altered to include the data thereon or therein such that the data is applied directly to the kendama without adhesive.



跨境侵权调查员

3. 硅胶解压玩具 skin picking fidget toy

3.1 产品介绍---硅胶解压玩具

本案维权的是一款硅胶解压玩具 skin picking fidget toy 版权，这款玩具采用食品级硅胶材质和彩色玻璃珠组合，专为有抠指甲习惯的以及注意力缺陷多动障碍的人群打造。



图源：亚马逊

3.2 硅胶解压玩具----知识产权维权信息

本案目前已有 377 个卖家被告，具体名单已公布。部分名单如下：

No.	DEFENDANT / SELLER ALIAS
1	Shenzhen Aidisheng Trading Co., Ltd.
2	Shenzhen Fast Dog International Logistics Co., Ltd.
3	Yiwu Jixu Import And Export Co., Ltd.
4	Yiwu Muen Crafts Co., Ltd
5	Weiheng E-Commerce (guangzhou) Co., Ltd.
6	Changsha X Being Importing & Exporting Co., Ltd
7	Guangzhou Yifa International Trading Co., Ltd.
8	Zhongshan Yixuan Craft & Gift Co., Ltd.
9	BESTIM INCUK Store
10	imagestore
11	LYB Toy Store
12	Toy wholesale and Retail Store
13	Mummy & Baby Store
14	GJCUTE Toy Store
15	Ali-Jetting Toy Store
16	wild kid Store
17	Shop2787101 Store
18	KidsWorld Store

4. 智能婴儿摇篮 Baby Bassinet

4.1 产品介绍---智能婴儿摇篮

这款智能婴儿摇篮 Soothing Baby Bassinet 采用创新的安抚技术，能连接蓝牙播放音乐，当婴儿哭泣的时候，摇篮会自动感应播放音乐并摇摆安抚。



图源：亚马逊



4.2 智能婴儿摇篮--知识产权信息

该产品刚于 2024 年 10 月 1 号下证了美国外观专利，专利号为 US D1,044,373

S



(12) **United States Design Patent** (10) **Patent No.:** **US D1,044,373 S**
Cardani et al. (45) **Date of Patent:** **** Oct. 1, 2024**

(54) **BASSINET**

FOREIGN PATENT DOCUMENTS

(71) Applicant: **Graco Children's Products, Inc.**,
Atlanta, GA (US)

CN 116584789 A * 8/2023
 CN 117257087 A * 12/2023 A47D 9/057
 KR 20220075075 A * 6/2022 A47D 9/02

(72) Inventors: **Jason Wade Cardani**, Kalamazoo, MI (US); **Zachary Hafner**, Kalamazoo, MI (US); **Matthew A. Johnson**, South Haven, MI (US); **Alexis Jude Schaffer**, Philadelphia, PA (US)

OTHER PUBLICATIONS

"Graco SmartSense Soothing Baby Bassinet." Found online Jun. 13, 2024 at www.amazon.com. Product first available Apr. 13, 2024. Retrieved from URL: https://www.amazon.com/Graco%C2%AE-SmartSenseTM-Soothing-Baby-Bassinet/dp/B0CXG8NVBP (Year: 2024).*

(73) Assignee: **GRACO CHILDREN'S PRODUCTS INC.**, Atlanta, GA (US)

(Continued)

(**) Term: **15 Years**

Primary Examiner — Michael C Stout

Assistant Examiner — Katelin G Kloberg

(21) Appl. No.: **29/868,673**

(74) Attorney, Agent, or Firm — Eversheds Sutherland (US) LLP

(22) Filed: **Dec. 12, 2022**

(51) **LOC (14) Cl.** **06-06**

(57) **CLAIM**

(52) **U.S. Cl.** **D6/718.26; D6/390**

The ornamental design for a bassinet, as shown and described.

(58) **Field of Classification Search**

DESCRIPTION

USPC **D6/382, 390, 391, 392, 718, 718.26; D23/278**
 CPC . A47D 9/00; A47D 9/02; A47D 9/057; A47D 7/00

FIG. 1 is a front, top perspective view of a bassinet, showing our new design;

See application file for complete search history.

FIG. 2 is a front view of the bassinet of FIG. 1;
 FIG. 3 is a rear view of the bassinet of FIG. 1;
 FIG. 4 is a left side view of the bassinet of FIG. 1;
 FIG. 5 is a right side view of the bassinet of FIG. 1;
 FIG. 6 is a top view of the bassinet of FIG. 1;
 FIG. 7 is a bottom view of the bassinet of FIG. 1;
 FIG. 8 is a front, top perspective view of the bassinet of FIG. 1, shown within an environment of use; and,
 FIG. 9 is a front view of the bassinet of FIG. 8.
 The broken lines depict portions of the bassinet that form no part of the claimed design. The additional broken lines in FIGS. 8 and 9 depict environmental subject matter that forms no part of the claimed design.

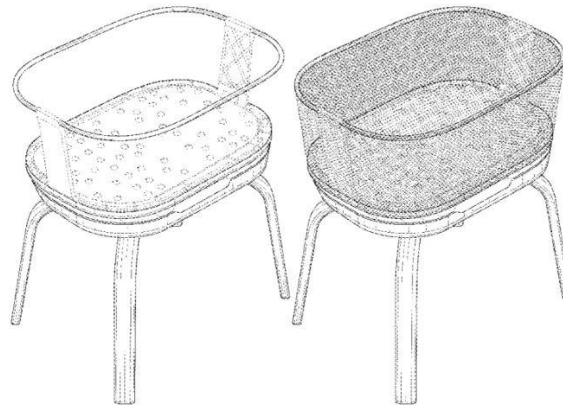
(56) **References Cited**

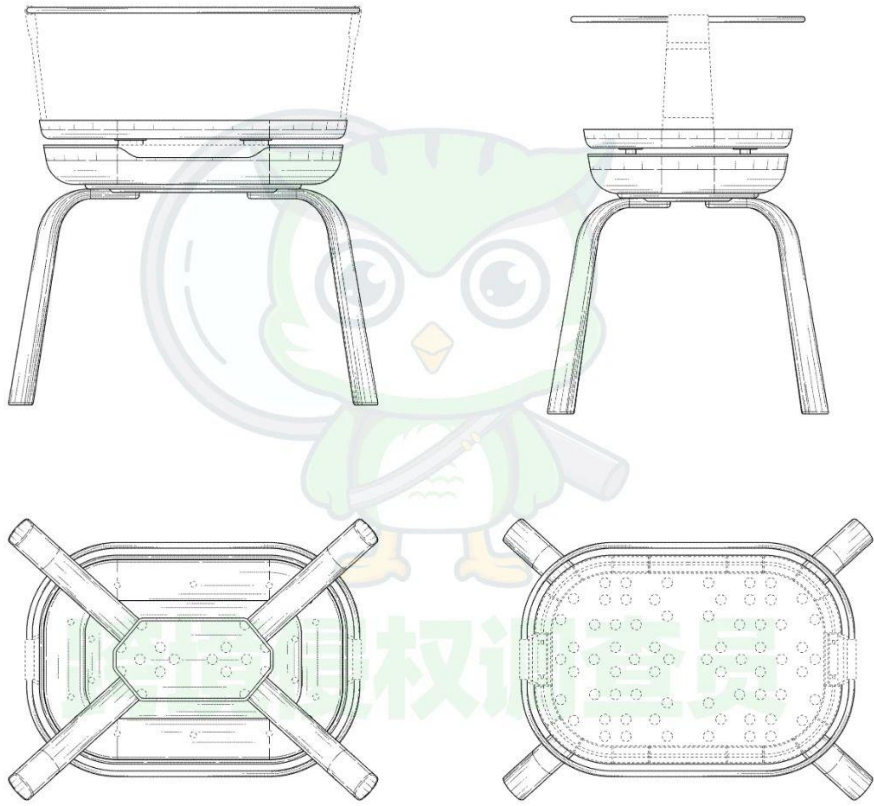
U.S. PATENT DOCUMENTS

D780,472 S * 3/2017 Behar D6/390
 D825,219 S * 8/2018 Karp D6/390
 D848,175 S * 5/2019 Behar D6/390
 D889,878 S * 7/2020 Karp D6/390
 D900,502 S * 11/2020 Yoo D6/390
 D920,077 S * 5/2021 Santocono D8/333
 D933,993 S * 10/2021 Karp D6/390
 D983,552 S * 4/2023 Santocono D6/390
 D998,362 S * 9/2023 Christopherson D6/390
 D1,023,609 S * 4/2024 Santocono D6/390

(Continued)

1 Claim, 9 Drawing Sheets





5.玩具枪 Toy Gun

5.1 产品介绍---玩具枪 Toy Gun

本案维权一款 TOY GUN 玩具枪，该产品采用了精密设计，由驱动机构、齿轮组、充气组及枪管等关键组件，使用高压气体来推动子弹，这种设计提高了玩具枪的可玩性。



图源：亚马逊

5.2 玩具枪 Toy Gun----知识产权信息

该发明专利于 2023 年获得美国授权，专利号：US 11644271B



US011644271B1

(12) **United States Patent** (10) **Patent No.:** **US 11,644,271 B1**
Huang (45) **Date of Patent:** **May 9, 2023**

(54) **TOY GUN** 5,701,878 A * 12/1997 Moore F41B 11/00
 124/66
 8,302,588 B2 * 11/2012 Chen F41B 7/08
 124/66
 2007/0006862 A1 * 1/2007 Zimmerman F41B 11/648
 124/66
 2008/0155875 A1 * 7/2008 Iwasawa F41B 11/644
 124/66
 2010/0180878 A1 * 7/2010 Funaki F41B 11/646
 42/54
 2010/0307472 A1 * 12/2010 Witzigreuter F41B 11/681
 124/66
 2011/0041824 A1 * 2/2011 Jablonski F41B 11/89
 473/569
 2011/0186595 A1 * 8/2011 Garces F41B 9/0037
 124/65
 2012/0304975 A1 * 12/2012 Ma F41B 11/681
 222/79
 2013/0192576 A1 * 8/2013 Ma F41B 9/0071
 124/73
 2015/0065005 A1 * 3/2015 Zimmerman F41B 11/684
 446/24
 2019/0346231 A1 * 11/2019 Ma F41A 11/04
 2022/0381533 A1 * 12/2022 Xia F41B 11/55
 * cited by examiner

(*) **Notice:** Subject to any disclaimer, the term of this patent is extended or adjusted under 35 U.S.C. 154(b) by 25 days.

(21) **Appl. No.:** **17/555,529**

(22) **Filed:** **Dec. 20, 2021**

(51) **Int. Cl.**
F41B 11/00 (2013.01)
F41B 11/681 (2013.01)
F41B 11/89 (2013.01)
F41B 11/642 (2013.01)

(52) **U.S. Cl.**
 CPC **F41B 11/681** (2013.01); **F41B 11/642** (2013.01); **F41B 11/89** (2013.01)

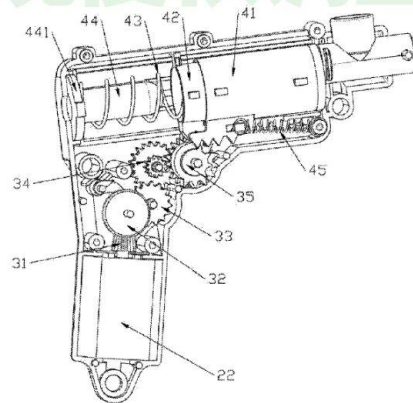
(58) **Field of Classification Search**
 CPC F41B 11/723; F41B 11/64; F41B 11/89; F41B 11/54; F41B 11/681; F41B 11/642
 USPC 124/66, 73, 78, 56
 See application file for complete search history.

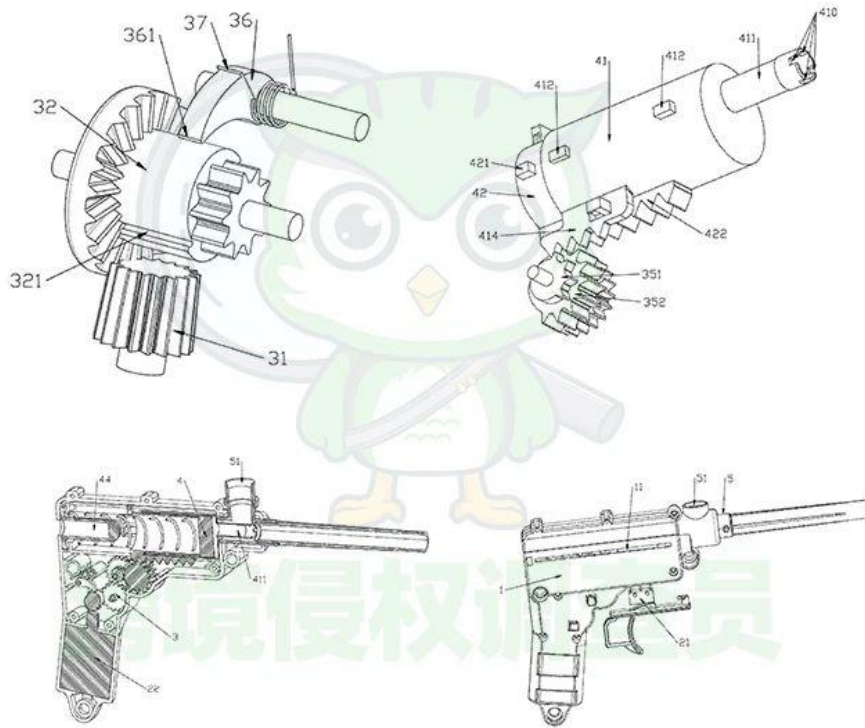
(56) **References Cited**
 U.S. PATENT DOCUMENTS
 2,708,430 A * 5/1955 Smith F41B 11/647
 124/66
 5,645,038 A * 7/1997 Luk F41B 11/642
 124/67

Primary Examiner — Michael D David

(57) **ABSTRACT**
 The present invention discloses a toy gun, and relates to the technical field of toys. In the present invention, a driving mechanism drives a gear set to rotate, and the gear set drives a piston to move reciprocally in a cylinder body, so that the piston compresses air in the cylinder body, and high-pressure air is ejected from an air nozzle. After a gel ball is loaded into a gun barrel, since the air nozzle is inserted at one end of the gun barrel, the compressed air ejected from the air nozzle pushes the gel ball out of the gun barrel, thereby realizing the firing of the gel ball. Compared with the toy gun that cannot fire bullets in the traditional art, the present invention improves the playability.

8 Claims, 6 Drawing Sheets



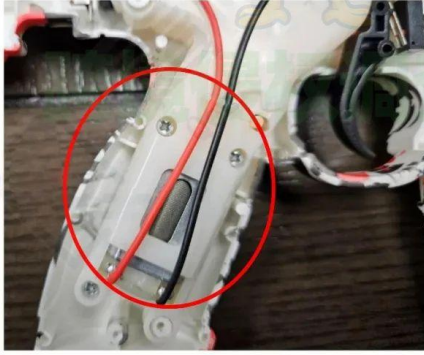


本案和产品的外观没什么关系，主要在于产品功能，原告在起诉书中写明了侵权点，大家仔细查看辨别。如有侵权风险请及时下架规避。

47. Upon information and belief, each of the Accused Products listed in Schedule A infringe at least Claim 1 of the Asserted Patent.
48. Upon information and belief each of the Accused Products comprise **被指控产品包括**
- a. a gun shell with a gun barrel **带枪管的炮弹**



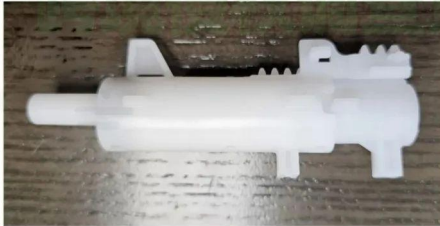
- b. a driving mechanism **驱动机构**



- c. a gear set **齿轮组**



- d. An inflatable set comprising: **一缸体和一活塞，所述活塞以滑动方式设置在缸体内，所述缸体的一端固定设有空气喷嘴，所述空气喷嘴插入所述枪管的一端**
 - i. a cylinder body and a piston, the piston is arranged in the cylinder body in a sliding manner, one end of the cylinder body is fixedly provided with an air nozzle which is inserted at one end of the gun barrel





e. wherein the gear set drives the piston to move reciprocally in the cylinder body, and at the same time drives the cylinder body to move reciprocally in the gun shell; the inflatable set is arranged in the gun shell in a sliding manner, and the driving mechanism drives the gear set to rotate

所述齿轮组带动活塞在缸体内往复运动, 同时带动缸体在枪壳内往复运动; 充气组以滑动方式设置在枪壳内, 驱动机构带动齿轮组旋转



6. 圣诞泡泡机 toy bubble gun

6.1 产品介绍---圣诞泡泡机

这款圣诞泡泡机 toy bubble gun 设计有圣诞老人和红绿色元素，每分钟可吹出 7000 多个彩色泡泡，内部还有 LED 灯设计，可以发出亮光，圣诞氛围满满。



图源：亚马逊

1.2 圣诞泡泡机----知识产权信息

该产品刚于 2024 年 10 月 15 号下证了美国外观专利，专利号为 US D1046983S



USD1046983S

(12) **United States Design Patent** (10) **Patent No.:** **US D1,046,983 S**
Huang (45) **Date of Patent:** **** Oct. 15, 2024**

(54) **TOY BUBBLE GUN** D1,019,801 S * 3/2024 Zhang D21/401
D1,022,050 S * 4/2024 Lin D21/401
(71) Applicant: **Liangsheng Huang, Shantou (CN)** D1,025,222 S * 4/2024 Chen D21/401
D1,026,105 S * 5/2024 Chen D21/401
(72) Inventor: **Liangsheng Huang, Shantou (CN)** D1,027,046 S * 5/2024 Chen D21/401
2012/0214378 A1* 8/2012 Lo A63H 33/28
446/15
(**) Term: **15 Years** 2012/0270462 A1* 10/2012 Lo A63H 33/28
446/15
(21) Appl. No.: **29/879,281** 2013/0125991 A1* 5/2013 Lau A63H 33/28
137/1

OTHER PUBLICATIONS

(30) **Foreign Application Priority Data**
Jun. 21, 2023 (CN) 202330383458
(51) **LOC (14) CL.** **21-01**
(52) **U.S. CL** **D21/401**
USPC **D21/401**
(58) **Field of Classification Search**
USPC D21/401, 402, 398, 473, 483, 572-575
CPC A63H 33/28; A63H 33/00; A63H 29/22;
A63J 5/025
See application file for complete search history.

Jakeloo Christmas Bubble Guns Machine. Date First Available: Sep. 13, 2023. Retrieved from internet: <https://www.amazon.ca/Jakeloo-Automatic-Christmas-Toddlers-Birthday/dp/BOCH19TV1M/> [site visited Jun. 28, 2024] (Year: 2023).*

* cited by examiner
Primary Examiner — W. A. Teddy Falloway
Assistant Examiner — Yuan Yuan

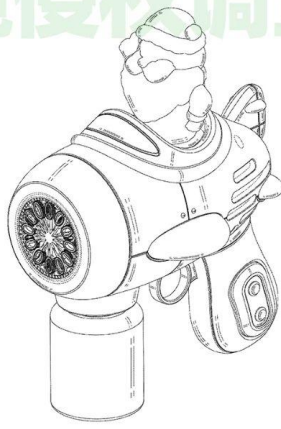
(57) **CLAIM**
The ornamental design for a toy bubble gun, as shown and described.

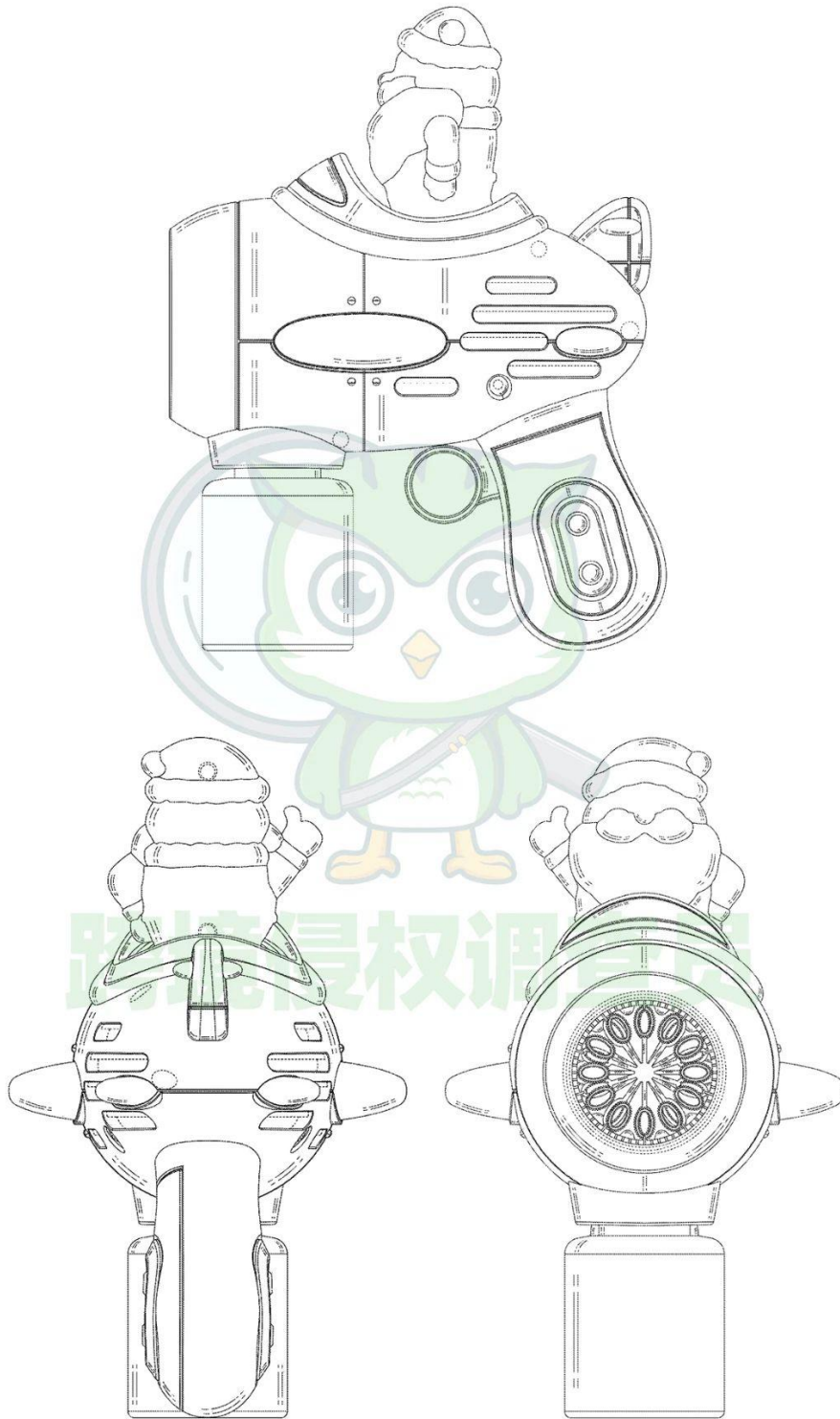
(56) **References Cited**

U.S. PATENT DOCUMENTS	
D453,197 S	* 1/2002 Hornsby D21/401
D722,117 S	* 2/2015 Chen D21/401
D867,466 S	* 11/2019 Thai D21/401
D896,896 S	* 9/2020 Lee D21/401
D955,496 S	* 6/2022 Cai D21/572
D962,349 S	* 8/2022 Gao D21/401
D968,529 S	* 11/2022 Cai D21/573
D971,339 S	* 11/2022 Zhou D21/401
D986,340 S	* 5/2023 Wang D21/401
D992,037 S	* 7/2023 Xu D21/401
D998,051 S	* 9/2023 Chen D21/401
D1,005,401 S	* 11/2023 Tang D21/401
D1,006,889 S	* 12/2023 Lo D21/414
D1,012,192 S	* 1/2024 Huang D21/401
D1,013,797 S	* 2/2024 Chen D21/573
D1,017,710 S	* 3/2024 Huang D21/401
D1,018,684 S	* 3/2024 Wang D21/401

DESCRIPTION
FIG. 1 is a perspective view of a toy bubble gun design showing my new design.
FIG. 2 is a front view thereof.
FIG. 3 is a rear view thereof.
FIG. 4 is a left side view thereof.
FIG. 5 is a right side view thereof.
FIG. 6 is a top view thereof.
FIG. 7 is a bottom view thereof; and,
FIG. 8 is another perspective view thereof.
The broken lines throughout the drawing figures depict portions of the toy bubble gun that form no part of the claimed design.

1 Claim, 8 Drawing Sheets





7.TUB WORKS 儿童沐浴产品

7.1 产品介绍---儿童沐浴产品

原告旗下主要售卖儿童沐浴产品，包括沐浴颜料、蜡笔、肥皂等，原告已于 12 月 5 日向法院提出 TRO。



7.2 TUB WORKS 儿童沐浴产品----知识产权信息

维权时间 2024-11-18, 本案为商标维权, 维权商标包括 Tub Works、Bath Paint Sticks、Bath Colors Fizzies、Imagination Works 等五个商标。原告旗下的商品在亚马逊上销量极高, 不少产品月销量超过 10K+, 月销量最高的一款高达 30K+

BATH PAINT STICKS

Wordmark [BATH PAINT STICKS](#)
Status **LIVE** **REGISTERED**
Goods & services IC 002: Paints in handheld stick form.; IC 016: Arts and craft paint...
Class 002, 016
Serial 98083541
Owners Tub Works, LLC (LIMITED LIABILITY COMPANY; DELAWARE, USA)

BATH COLOR FIZZIES

Wordmark [BATH COLOR FIZZIES](#)
Status **LIVE** **REGISTERED**
Goods & services IC 003: tablets used to dye bath water various colors and hues.
Class 003
Serial 98224204
Owners Tub Works, LLC (LIMITED LIABILITY COMPANY; DELAWARE, USA)



IMAGINATION WORKS

Wordmark [IMAGINATION WORKS](#)
Status **LIVE** **REGISTERED**
Goods & services IC 016: Crayons; Markers; Pencils; Arts and craft paint kits; Colored...
Class 016, 002
Serial 97913105
Owners TUB WORKS, LLC (LIMITED LIABILITY COMPANY; DELAWARE, USA)

Wordmark [IMAGINATION WORKS](#)
Status **LIVE** **REGISTERED**
Goods & services IC 016: Crayons; Markers; Pencils; Arts and craft paint kits; Colored...
Class 016, 002
Serial 97913094
Owners TUB WORKS, LLC (LIMITED LIABILITY COMPANY; DELAWARE, USA)

TUB WORKS

Wordmark [TUB WORKS](#)
Status **LIVE** **REGISTERED**
Goods & services IC 028: Bath toys; Inflatable bath toys.; IC 003: Bath bombs; Bath...
Class 028, 003
Serial 97554573
Owners Tub Works, LLC (LIMITED LIABILITY COMPANY; DELAWARE, USA)



Tub Works
 Non-toxic, washable Bath Crayons for Toddlers & Kids | Unique Formula Draws Smoothly & Vividly...
 ★★★★★ 1,165
 10K+ bought in past month

\$13.99 (\$1.17/Count)



Tub Works
 Variety 6 Pack | Nontoxic | Fizzes, Foams & Bubbles with an Eruption of Color | Interactive Bath Bombs for...
 ★★★★★ 252
 20K+ bought in past month

\$19.99 (\$3.33/Count)
 \$18.99 with Subscribe & Save discount
 FREE delivery on \$35 shipped by Amazon.
 Small Business



Tub Works
 Classic 6 Pack | Non-toxic | Washable Bath Tub Paint for Finger Painting on Tub Walls | Ideal Toddler Bath Toys for...
 ★★★★★ 1,185
 2K+ bought in past month

\$13.99 (\$0.78/Fl Oz)



Tub Works
 Variety 6 Pack | Nontoxic | Fizzes, Foams & Bubbles with an Eruption of Color | Interactive Bath Bombs for...
 ★★★★★ 332
 10K+ bought in past month

\$27.99 (\$3.50/Fl Oz)
 \$26.99 with Subscribe & Save discount
 prime
 FREE delivery Wed, Dec 18 on \$35 of items shipped by Amazon



Tub Works
 24 Pack | Non-toxic | Washable Bath Paint for Toddlers & Kids Bath | Ideal Toddler Bath Toys for Creative Play
 ★★★★★ 1,81
 500+ bought in past month

\$34.99 (\$0.49/Fl Oz)



Tub Works
 Super Goo Bath Slime™ Kids | Fruity Scents | Nontoxic | Sensory...
 ★★★★★ 216
 3K+ bought in past month

\$19.99
 prime
 FREE delivery Mon, Dec 16 on \$35 of items shipped by Amazon



Tub Works
 Variety 6 Pack | Nontoxic | Fizzes, Foams & Bubbles with an Eruption of Color | Interactive Bath Bombs for...
 ★★★★★ 332
 10K+ bought in past month

\$27.99 (\$3.50/Fl Oz)



Tub Works
 Twistable Sticks Draw Smoothly on Tub Walls...
 ★★★★★ 577
 7K+ bought in past month

\$13.99 (\$3.33/Ounce)
 \$13.29 with Subscribe & Save discount
 prime
 FREE delivery Wed, Dec 18 on \$35 of items shipped by Amazon



Tub Works
 150 Count | Non-toxic | Fizzes, Foams & Bubbles with an Eruption of Color | Interactive Bath Bombs for...
 ★★★★★ 1,856
 30K+ bought in past month

\$19.99 (\$0.13/Count)



Tub Works
 12 Count | Non-toxic | Fizzes, Foams & Bubbles with an Eruption of Color | Interactive Bath Bombs for...
 ★★★★★ 230
 10K+ bought in past month

\$19.99 (\$1.67/Item)
 FREE delivery on \$35 shipped by Amazon.
 Small Business

8、磁性象棋 Magnetic chess

8.1 产品介绍---磁性象棋

磁性象棋游戏 Magnetic chess game，该产品采用磁吸设计，棋子能牢固的吸附在棋盘上不易掉落。这是一款集趣味性与挑战性于一体的棋盘游戏，能锻炼儿童的锻炼思考与逻辑能力，适合任何年龄段的人群。



8.2 磁性象棋----知识产权信息

2024-12-17 发起外观专利侵权维权的品牌方是 YC. 经检索发现原告旗下拥有一款美国外观专利, 专利号: US D1025219S



USD1025219S

(12) **United States Design Patent** (10) **Patent No.:** **US D1,025,219 S**
Chen (45) **Date of Patent:** **** Apr. 30, 2024**

(54) **MAGNETIC CHESS GAME**

(71) Applicant: **Yuxiang Chen, Fu'an Fujian (CN)**

(72) Inventor: **Yuxiang Chen, Fu'an Fujian (CN)**

(**) Term: **15 Years**

(21) Appl. No.: **29/921,856**

(22) Filed: **Dec. 19, 2023**

(51) **LOC (14) Cl.** **21-01**

(52) **U.S. Cl.**

USPC **D21/341; D21/338**

(58) **Field of Classification Search**

USPC D21/348, 362-371, 307, 302, 308-309, D21/306, 334, 335-341, 345-347, 349, D21/374-377, 300, 390, 397, 455, 458, D21/459, 478, 480, 519, 522, 811, 812, D21/385, 386; 273/236-244, 274-277, 273/268-271, 280-287, 288-291, 138.1, 273/141 R, 141 A, 142 R, 143 R, 143 A, 273/143 B, 143 C, 142 E, 142 F, 142 G, 273/142 H, 142 HA, 145 E, 294, 292, 273/298, 148 R, 309, 153 R, 155, 156, 273/157 R, 153 J, 161, 440, 459-461, 273/317, 340, 342, 108, 126 R, 126 A, 273/127 R, 348.1, 348.3, 348.4, 348.5, 273/351, 355, 368, 373, 374, 393, 273/403-412, 248, 249, 258; D14/485, D14/488, 486

CPC A63F 3/00; A63F 3/00003; A63F 3/02; A63F 3/04; A63F 3/00082; A63F 3/00088; A63F 3/00091; A63F 3/00097; A63F 3/00173; A63F 3/00176; A63F 3/0023; A63F 3/0052; A63F 3/00694; A63F 3/027; A63F 3/062; A63F 3/0625; A63F 2003/00022; A63F 2003/00208; A63F 2003/00463; A63F 2003/0047; A63F 2003/00523; A63F 2009/0033; A63F 2009/0035; A63F 2009/0047; A63F 9/0073

See application file for complete search history.

(56) **References Cited**

U.S. PATENT DOCUMENTS

508,754 A * 11/1893 Quick A63F 3/00006
273/153 R
621,799 A * 3/1899 Degges A63F 3/02
273/290
D31,018 S * 6/1899 Haskell D21/341
1,336,169 A * 4/1920 Stewart A63F 3/02
273/287
D89,387 S * 3/1933 Dahlquist D21/341
(Continued)

OTHER PUBLICATIONS

"Magnetic Chess Game with Punishment Wheel Set". Found online Dec. 19, 2023 at amazon.com. Reference dated Dec. 3, 2023. Retrieved from <https://www.amazon.com/dp/B0CPCYVHT7/>. Year: 2023) The publisher of the above publication is shenzhenshifanhaikejijoyouxiangongsi.

(Continued)

Primary Examiner — Susan Moon Lee

(74) Attorney, Agent, or Firm — Vladimir Postnikov

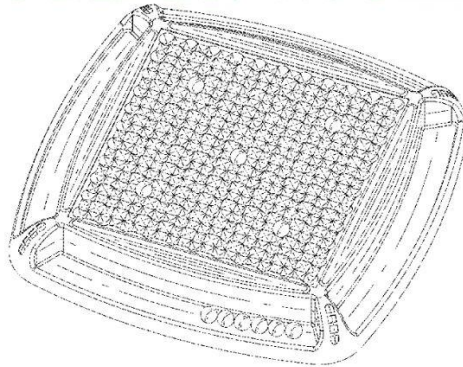
(57) **CLAIM**

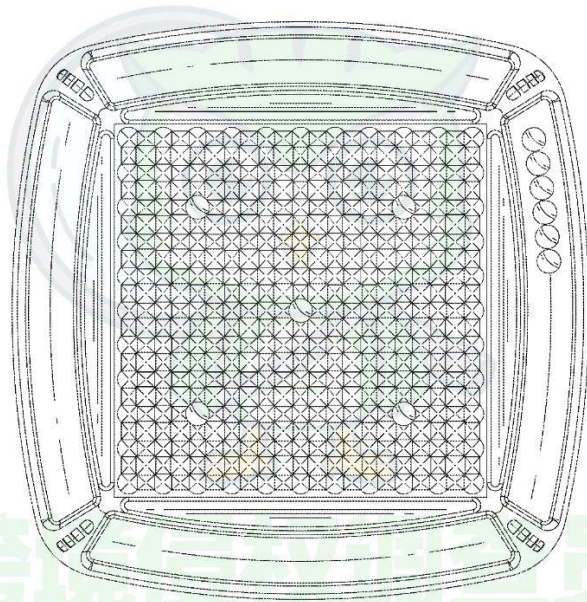
The ornamental design for a magnetic chess game, as shown and described.

DESCRIPTION

FIG. 1 is a perspective view of a magnetic chess game showing the new design;
FIG. 2 is another perspective view thereof;
FIG. 3 is a front elevation view thereof;
FIG. 4 is a back elevation view thereof;
FIG. 5 is a left-side view thereof;
FIG. 6 is a right-side view thereof;
FIG. 7 is a top plan view thereof; and,
FIG. 8 is a bottom plan view thereof.

1 Claim, 8 Drawing Sheets





跨境人才网

9、Busy Board 感官玩具

9.1 产品介绍---Busy Board 感官玩具

这个感官玩具上设置了 8 个不同的开关，每个开关对应不同颜色或风格的 LED 灯。可以锻炼宝宝的思维能力和动手能力。



9.2 磁性象棋----知识产权信息

2024-12-20 发起外观专利侵权维权的品牌方是 Canrui Zhang.是中国的卖家
涉案专利于 2024 年 1 月份获得美国授权，专利号为 US D1012195 S,



(12) **United States Design Patent** (10) **Patent No.:** **US D1,012,195 S**
Zhang (45) **Date of Patent:** **** Jan. 23, 2024**

(54) **TOY BOARD** D839,216 S * 1/2019 Kim D13/168
 D839,361 S * 1/2019 Lederer D21/475
 D877,262 S * 3/2020 Sommer D21/468
 D925,649 S * 7/2021 Liang D19/62
 D933,231 S * 10/2021 Marteau D24/158
 D969,226 S * 11/2022 Peng
 D983,277 S * 4/2023 Yin D21/475
 D991,890 S * 7/2023 Newson D13/162
 D995,451 S * 8/2023 Newson D13/164
 2021/0287646 A1* 9/2021 Packouz G10H 1/18

(22) Filed: **Sep. 7, 2023**
 (51) **LOC (14) Cl.** **21-01**
 (52) **U.S. Cl.**
 USPC **D21/468; D21/475**
 (58) **Field of Classification Search**
 USPC D21/468, 398, 475, 483, 493, 512, 513,
 D21/516, 517, 529, 566, 334, 370, 331,
 D21/324, 470; D19/64, 60, 59;
 D13/164; D14/413
 CPC A63H 33/00; A63H 33/26; A63H 33/30;
 A63F 3/00643; A63F 2009/2442; A63F
 2009/2438; A63F 2009/2402; A63F
 2009/2451; A63F 2009/2452; A63F
 2009/2454; A63F 9/24
 See application file for complete search history.

OTHER PUBLICATIONS
 Wooden Busy Board Sensory Toys . Date First Available: Feb. 22,
 2023. Retrieved from internet: <https://www.amazon.de/-/en/Wooden-
 Sensory-Switches-Montessori-Toodler/dp/B0BC95TQQS> [site visited
 Oct. 12, 2023] (Year: 2023).
 Montessori Toddler Busy Board. Date First Available: Sep. 30,
 2022. Retrieved from internet: <https://www.amazon.sa/dp/
 B0BC95TQQS?th=1> [site visited Oct. 12, 2023] (Year: 2022).*

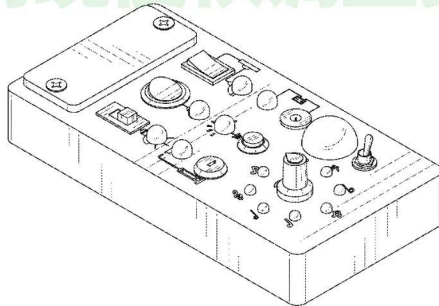
* cited by examiner
Primary Examiner — W. A. Teddy Falloway
 (74) *Attorney, Agent, or Firm* — Jeenam Park

(56) **References Cited**
U.S. PATENT DOCUMENTS
 D187,218 S * 2/1960 McHugh D21/475
 D236,212 S * 8/1975 Beigel D14/188
 D246,610 S * 12/1977 Matsumoto D21/324
 D277,878 S * 3/1985 Chaitani D21/475
 D309,480 S * 7/1990 Olney D21/455
 D383,338 S * 9/1997 Gibbs D21/475
 D410,045 S * 5/1999 Fletcher D21/513
 D570,923 S * 6/2008 Giatello
 D648,370 S * 11/2011 Yoshida D21/333
 D677,247 S * 3/2013 Lijima D14/217
 D716,740 S * 11/2014 Rodriguez D13/164
 D726,159 S * 4/2015 Swendsen D14/217
 D789,425 S * 6/2017 Smith D15/28
 D832,822 S * 11/2018 Cho D14/217

CLAIM
 (57) The ornamental design for a toy board, as shown and described.

DESCRIPTION
 FIG. 1 is a front, left and bottom perspective view of a toy board, showing my new design;
 FIG. 2 is a rear, right and top perspective view thereof;
 FIG. 3 is a front view thereof;
 FIG. 4 is a rear view thereof;
 FIG. 5 is a left side view thereof;
 FIG. 6 is a right side view thereof;
 FIG. 7 is a top plan view thereof; and
 FIG. 8 is a bottom plan view thereof.

1 Claim, 8 Drawing Sheets



免责声明:

本报告提供的资讯为一般性信息,供会员单位查阅参考不取代任何可适用的法律或规章要求

主办: 深圳市玩具行业协会

供稿单位: 深圳市方信知识产权代理有限公司、广州积特知识产权代理事务所

主办及供稿单位将不承担与报告文稿相关的任何赔偿责任。